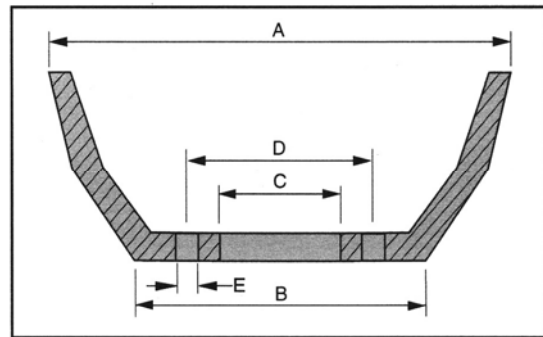
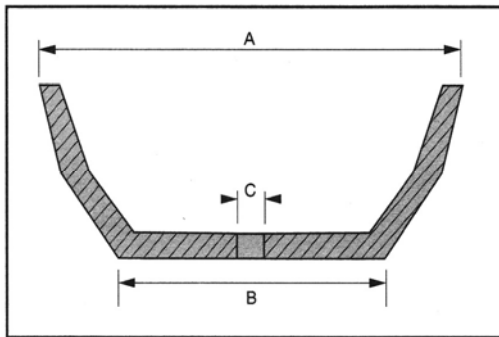


Polyurethane Conical Cups

Replacement Parts for Steel Mandrel Pipeline Pigs
 by Girard Industries & other manufacturers



- Made of liquid cast polyurethane.
- High tear strength.
- Outstanding cut and abrasion resistance.
- Size to fit most pig bodies.
- More flexible than scraper cups for ease in traversing out-of-round pipe.

Size	A	B	C	D	E	Approx. Weight
	Trailing Edge OD	Leading Edge OD	Center Hole	Bolt Circle	Bolt # - Size	
4"	4 5/16"	2 7/16"	9/16"	n/a	n/a	0.4 lbs.
5"	5 1/16"	3 1/4"	11/16"	n/a	n/a	0.8 lbs.
6"	6 3/8"	4"	1 1/16"	n/a	n/a	1.2 lbs.
8"	8 1/2"	6"	11/16"	Na	n/a	2.2 lbs.
10"	10 1/2"	7 1/2"	1 1/16"	n/a	n/a	3.5 lbs.
11"	11"	8"	11/16"	n/a	n/a	4.2 lbs.
12" HW	11 13/16"	8 3/4"	1 1/16"	ri/a	n/a	5.0 lbs.
12"	12 7/16"	8 3/4"	1 1/16"	n/a	n/a	6.0 lbs.
14"	13 15/16"	9 3/4"	1 1/16"	n/a	n/a	7.0 lbs.
14 1/2"	14 1/2"	9 3/4"	1 1/16"	n/a	n/a	8.0 lbs.
16"	16"	11"	6 3/8"	8 1/2"	8 - 9/16"	9.0 lbs.
16 1/2"	16 1/2"	11"	6 3/8"	8 1/2"	8 - 9/16"	10.0 lbs.
18"	18"	12 7/8"	8 3/8"	10 1/2"	12 - 9/16"	12.0 lbs.
20"	20"	12 7/8"	8 3/8"	10 1/2"	12 - 9/16"	15.0 lbs.
22"	22"	15 1/4"	10 3/8"	13"	14 - 9/16"	20.0 lbs.



6531 North Eldridge Parkway | Houston, Texas 77041, USA
 800.231.2861 | PHONE: 713.466.3100 | FAX: 713.466.8050
 sales@girardindustries.com | www.GirardIndustries.com

22 1/2"	22 1/2"	15 1/4"	10 3/8"	13"	14 - 9/16"	23.0 lbs.
24"	24"	15 1/4"	10 3/8"	13"	14 - 9/16"	27.0 lbs.
26"	26"	18"	12 3/8"	15"	16 - 9/16"	34.0 lbs.

28"	28 1/4"	18"	12 3/8"	15"	16 - 9/16"	40.0 lbs.
30"	30"	20 1/4"	15 3/8"	18"	18 - 9/16"	48.0 lbs.
32"	32"	20 1/4"	15 3/8"	18"	18 - 9/16"	54.0 lbs.
34"	34"	22 1/8"	17 3/8"	20"	22 - 9/16"	78.0 lbs.
36"	36"	22 1/8"	17 3/8"	20"	22 - 9/16"	88.0 lbs.
38"	38"	26"	20 7/8"	24"	24 - 5/8"	100.0 lbs.
40"	40"	26 1/2"	20 7/8"	24"	24 - 5/8"	120.0 lbs.
42"	42"	26 1/2"	20 7/8"	24"	24 - 5/8"	135.0 lbs.